

**Smart Management  
Module (SMM)**

**GENERAC® LOAD MANAGEMENT  
50 Amp Smart Management Module (SMM)**

Model: G007000-0  
UPC: 696471070002



**FEATURES**

Generac's Smart Power Management System is designed to optimize the performance of a standby generator. The system can consist of up to eight individual Smart Management Modules (SMM). Unlike other load management systems that depend on another control device, the SMM's are self-aware and operate autonomously. Frequency is the true measure of generator engine performance, and does not need to factor in increased ambient temperatures, elevation changes, or generator fuel type. The SMM monitors the frequency (Hz) of the power being produced by Generac's standby generators. If frequency falls below a certain threshold of a correctly sized system, the SMM will automatically shed the managed loads to allow the generator to recover. The modules can be set to a load priority between 1–8, or be set in a lock-out only mode for loads that do not need to run in an outage. This reduces the minimum size of generator required for a more cost-effective solution.

\* It is recommended to size the generator with appropriate excess capacity to allow starting of the largest managed loads (i.e. loads with highest starting currents). Each managed load of the SACM and SMM must be assigned a unique priority setting, so no two managed loads attempt to start simultaneously. See owner's manual for more information.

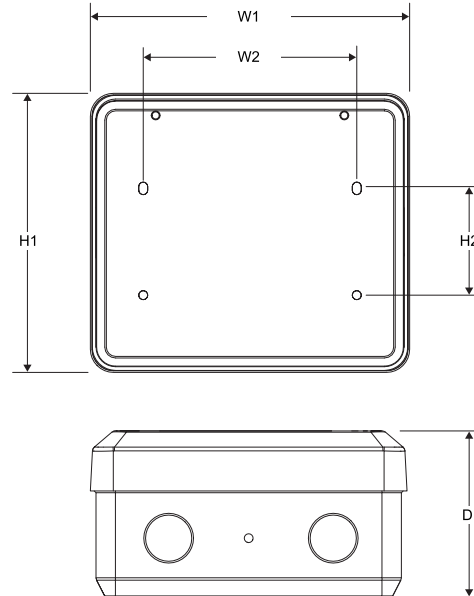
**SMM SPECIFICATIONS**

Power supply source .....	240 VAC (from line input)
Contact voltages.....	220/240 VAC
Contact coil voltage.....	240 VAC
Coil VA inrush .....	30
Coil VA sealed.....	6.5
Poles .....	2
Resistive amps.....	50
F/L Inductive amps.....	40
Locked rotor amps.....	180
NEMA .....	3R
Enclosure rating .....	UL 50
Frequency selectability.....	50 Hz / 60 Hz

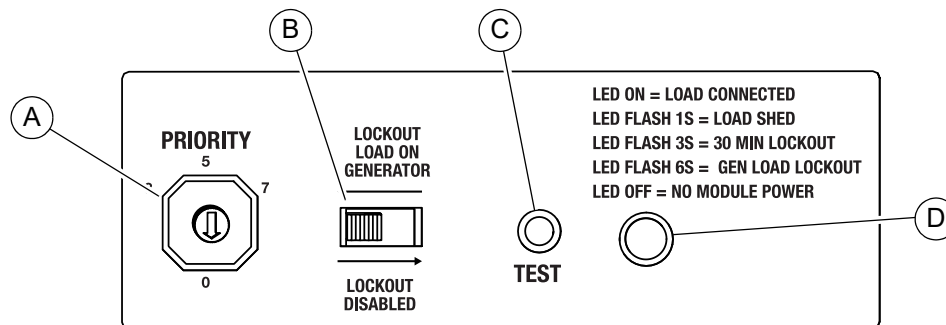
## Smart Management Module (SMM)

## Dimensions and UPC

<b>Model</b>		<b>G007000-0</b>
Height (in / mm)	H1	6.17 / 156.8
	H2	2.36 / 60
Width (in / mm)	W1	7.06 / 179.4
	W2	4.72 / 120
Depth (in / mm)		3.7 / 94
Weight (lb / kg)		2.06 / 0.94
Shipping weight (lb / kg)		2.44 / 1.11
UPC		696471070002



## SMM Controls



- Priority Dial (A)** Sets module priority.
- Lockout Switch (B)** Prevents load from operating when system is operating under generator power.
- Test Button (C)** Disables contactor output for a specified time.
- LED (D)** Provides module status with easy viewing through the external viewing window located in the upper right corner of the module.